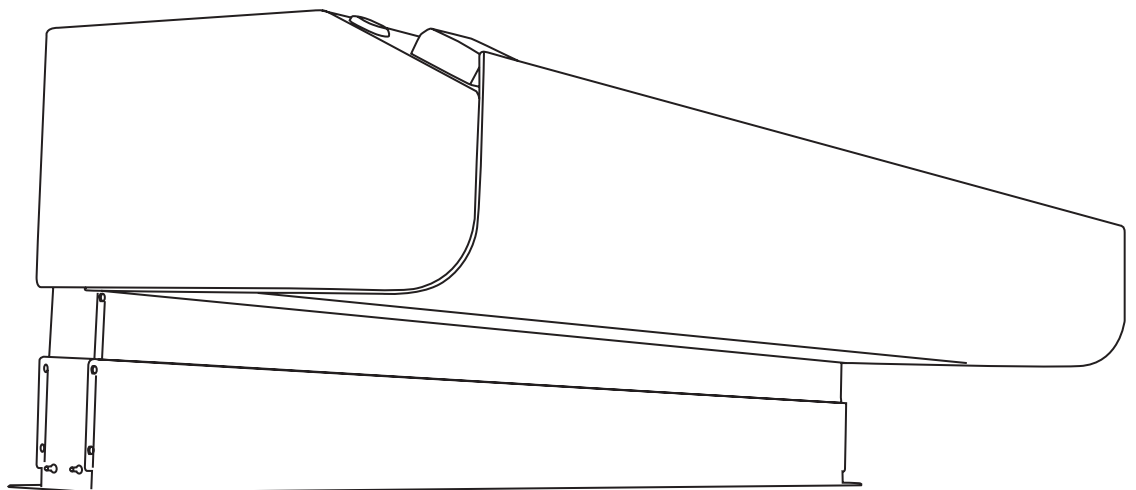


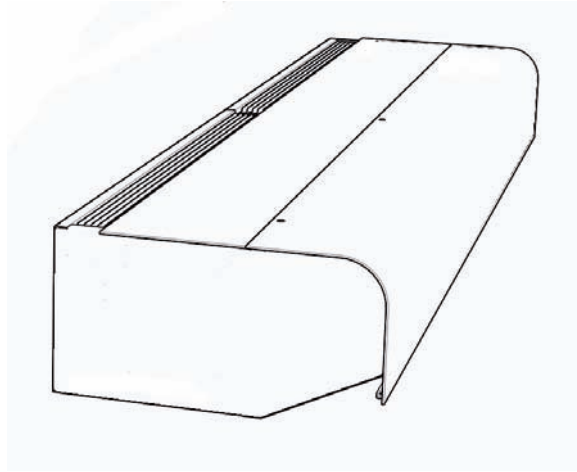
Original instructions

PA3XT

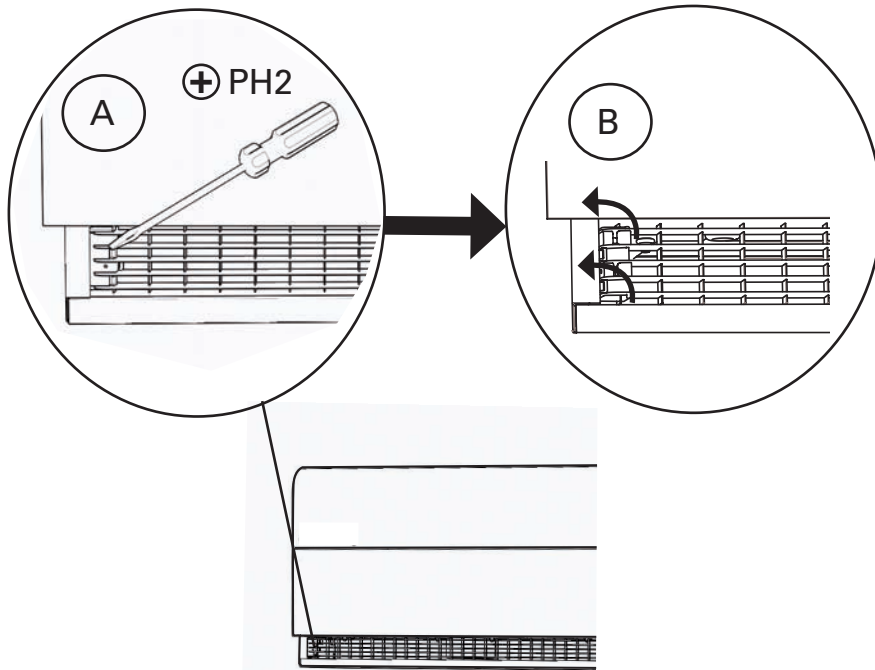
PA4XT



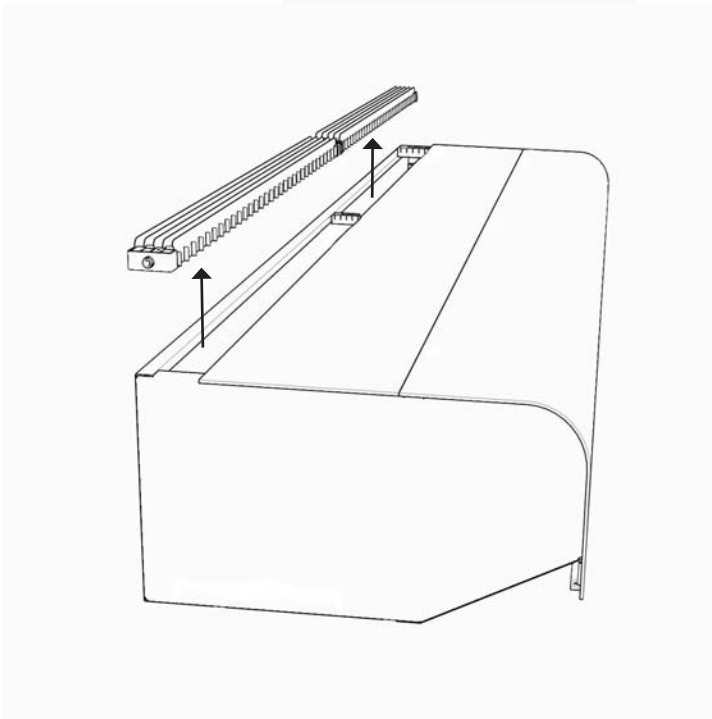
1



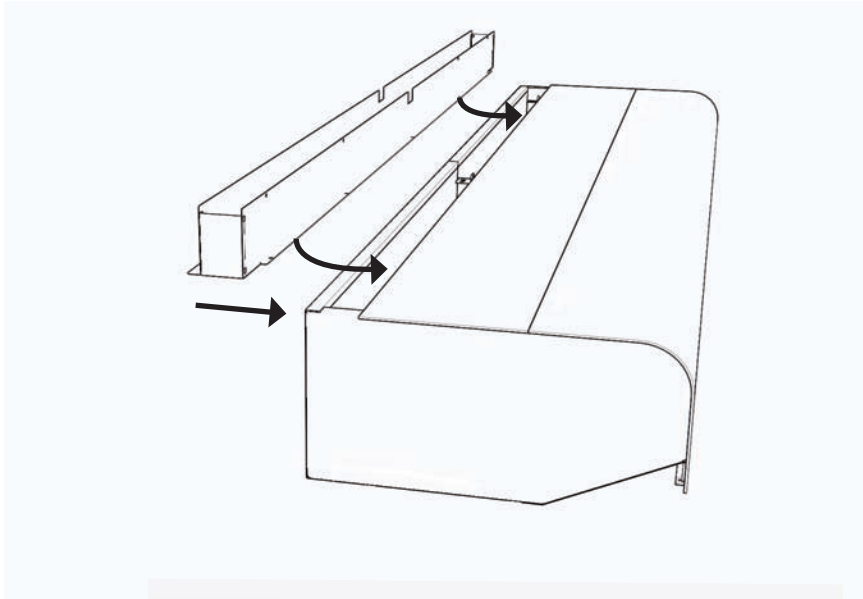
2



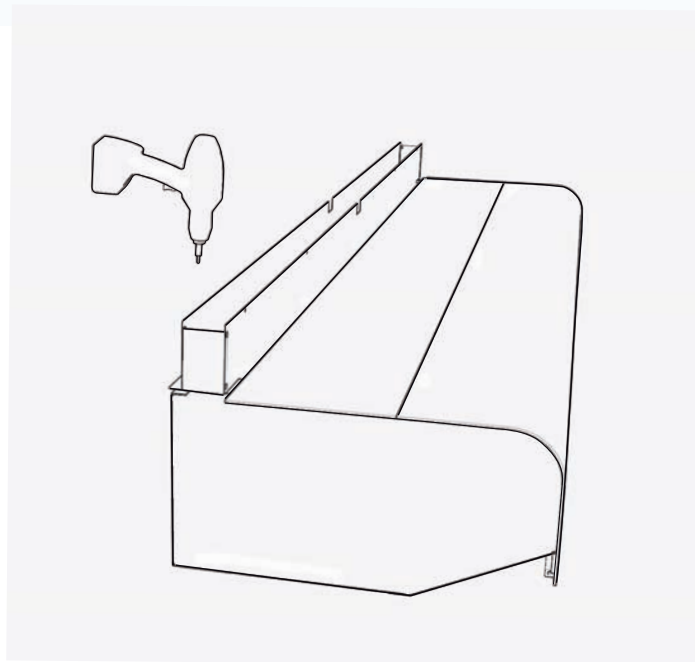
3



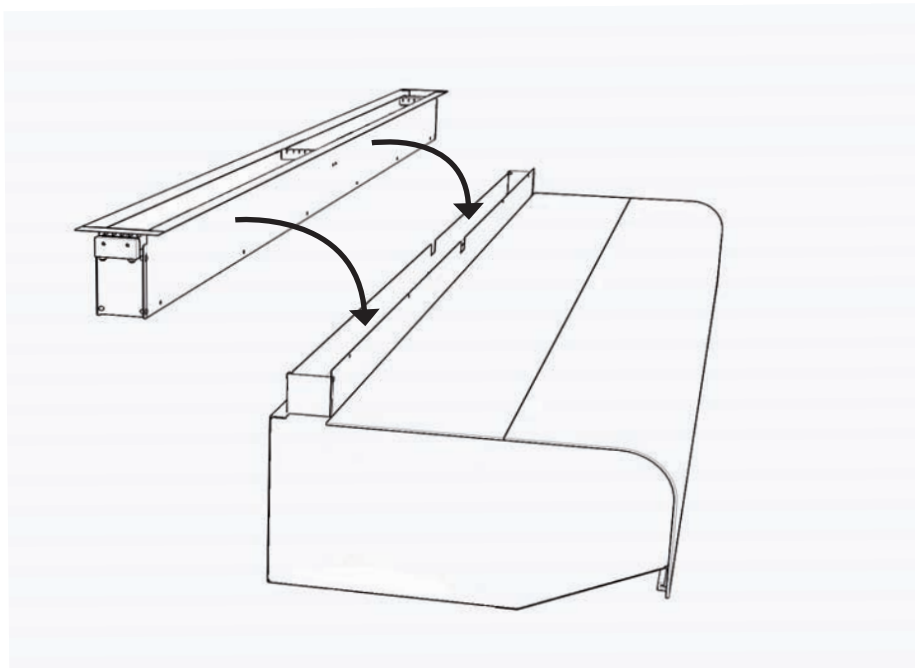
4



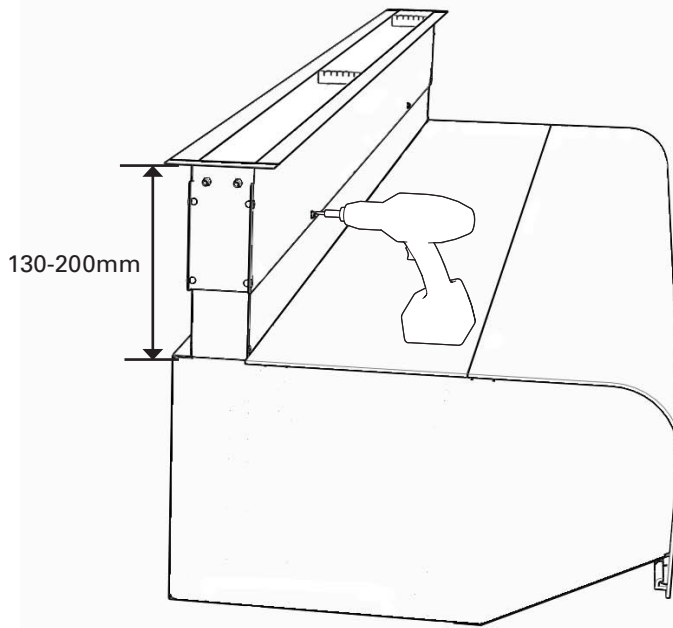
5



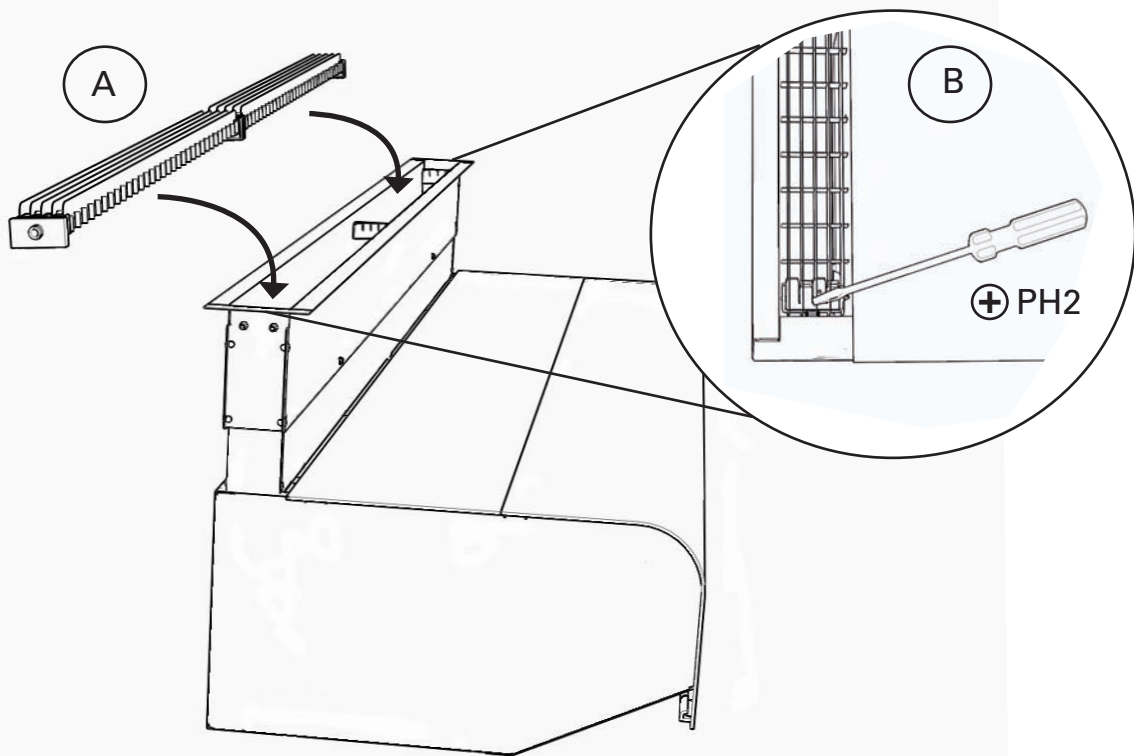
6



7



8



Frico AB
Box 102
SE-433 22 Partille
Sweden

Tel: +46 31 336 86 00
Fax: +46 31 26 28 25
mailbox@frico.se
www.frico.se

**For latest updated information and information
about your local contact: www.frico.se**