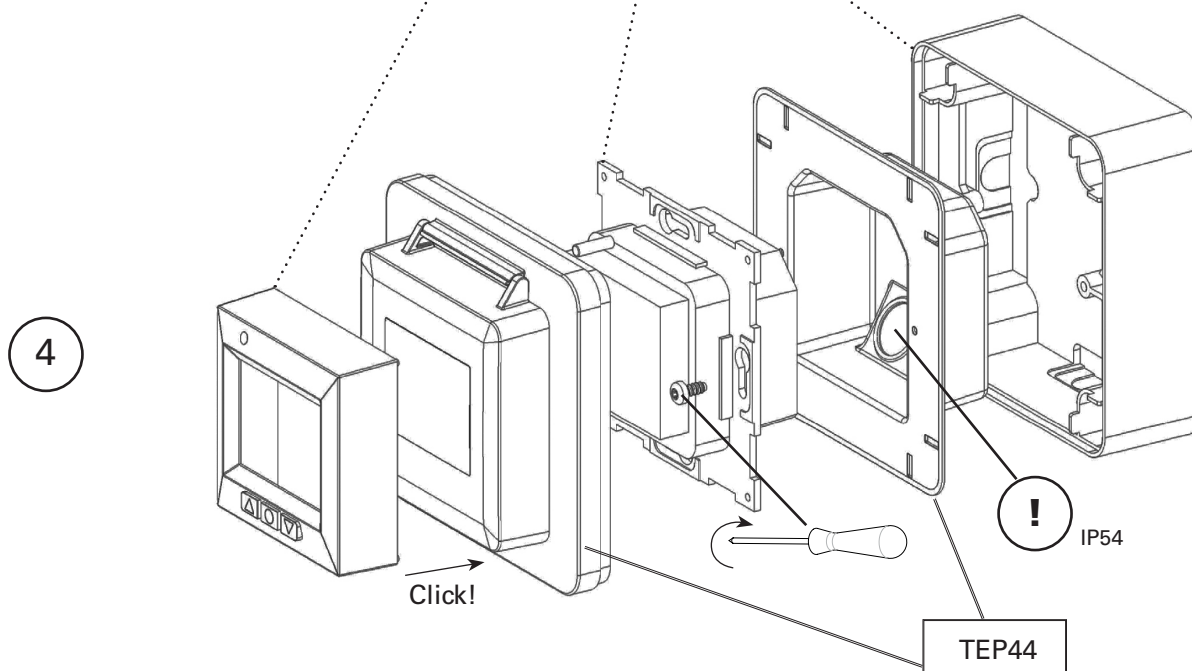
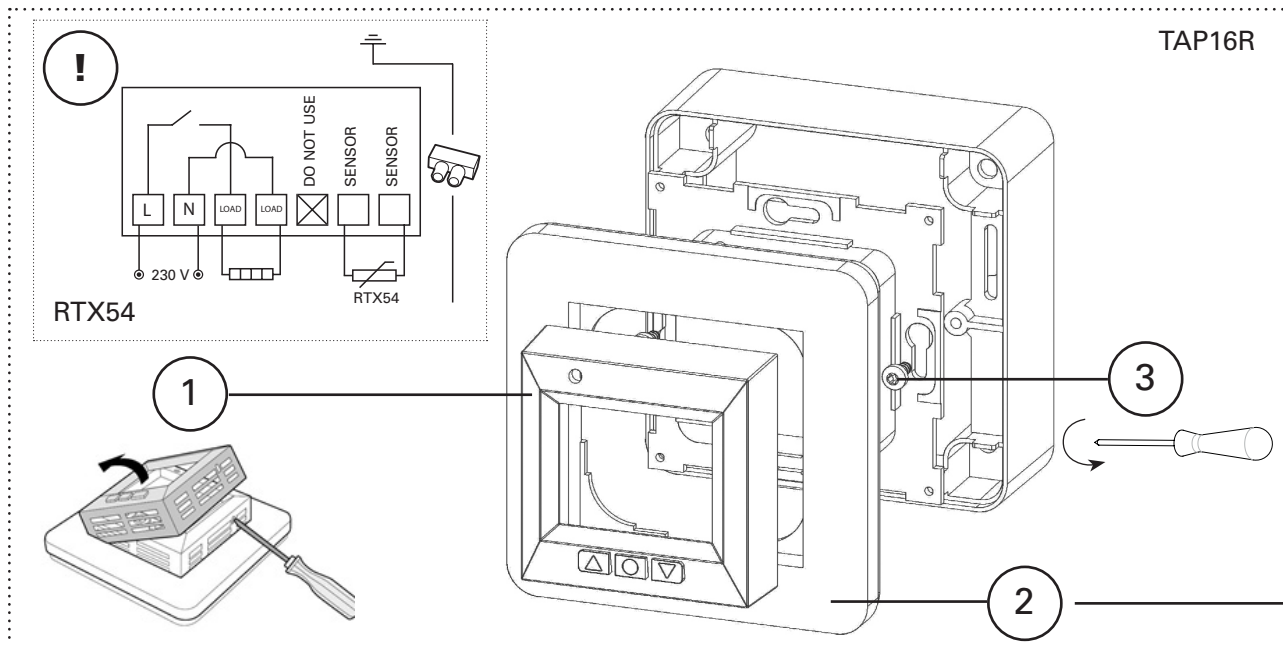
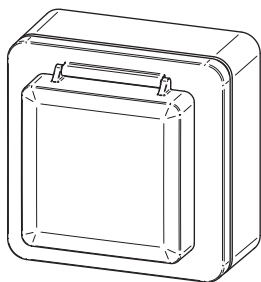


## TEP44



### Main office

Frico AB  
Box 102  
SE-433 22 Partille  
Sweden

Tel: +46 31 336 86 00

mailbox@frico.se  
www.frico.se



For latest updated information and information  
about your local contact: [www.frico.se](http://www.frico.se)